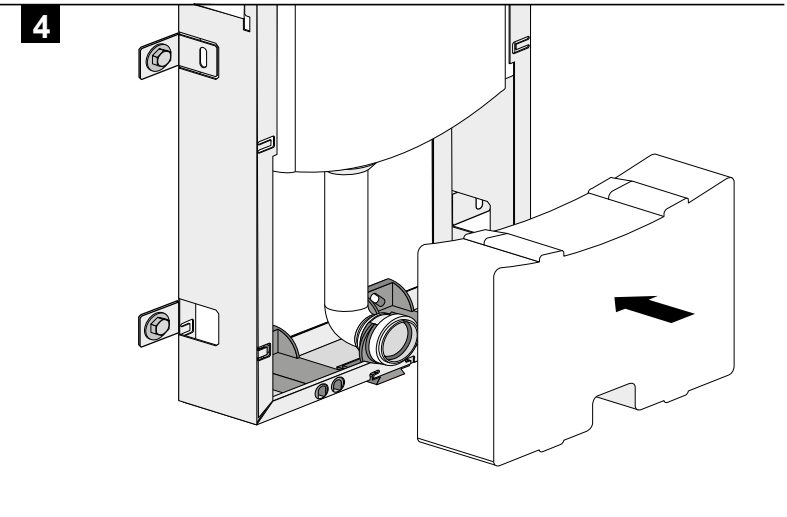
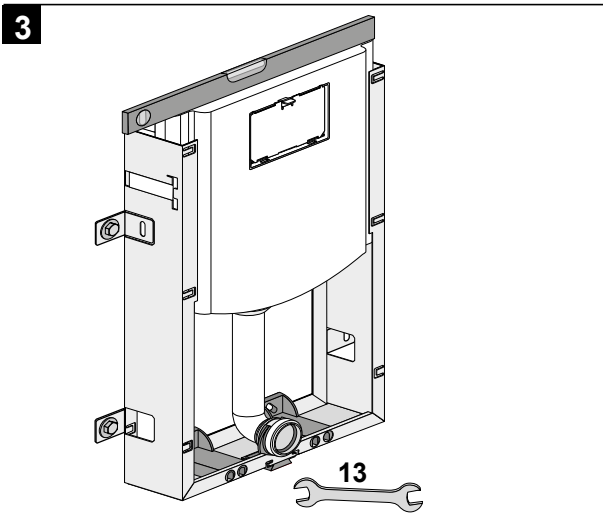
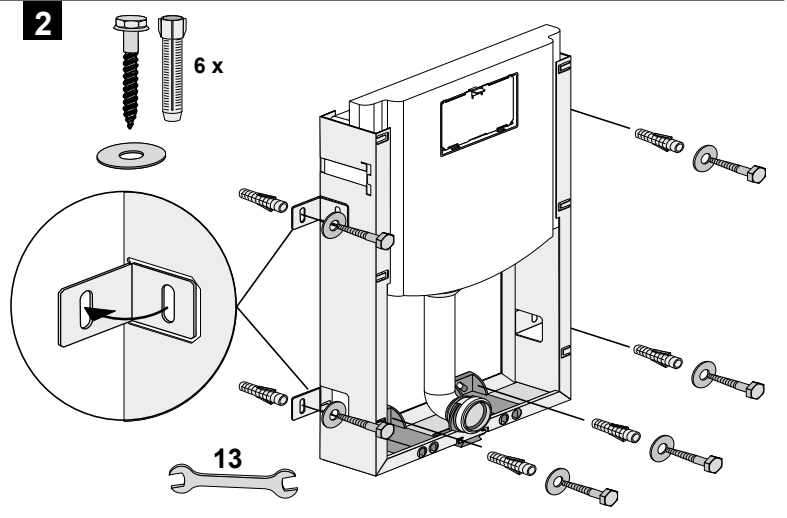
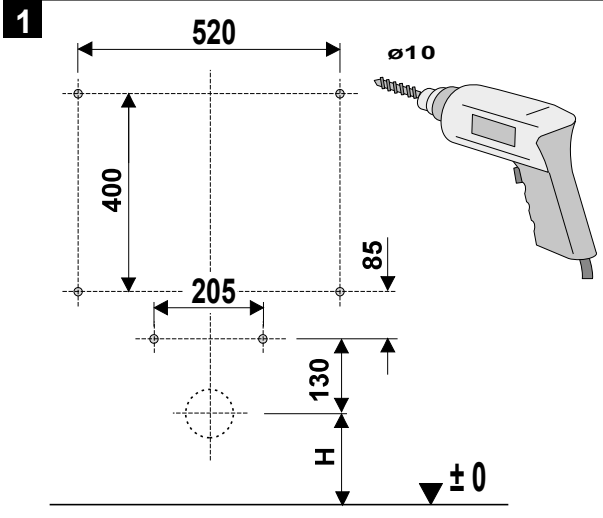
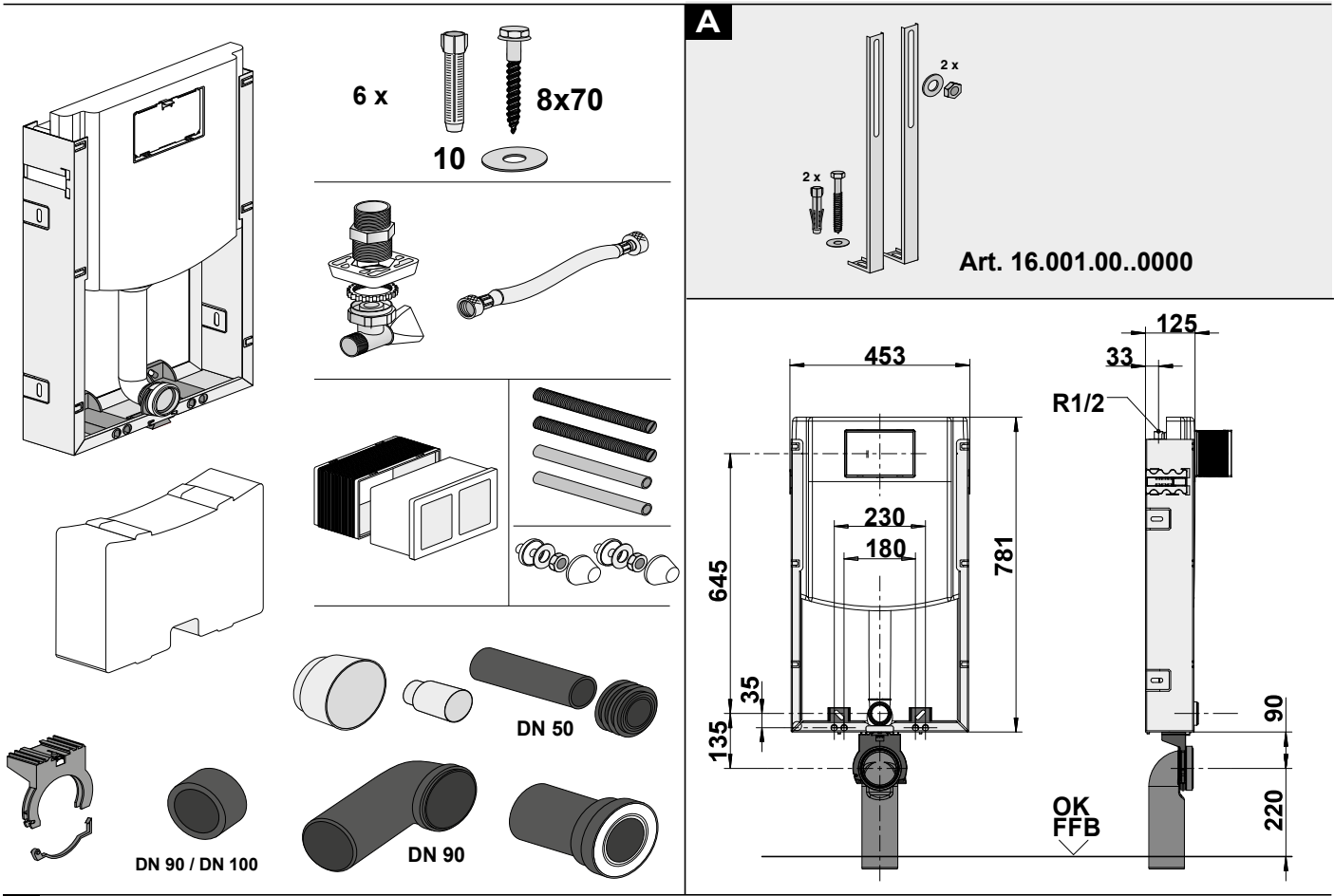
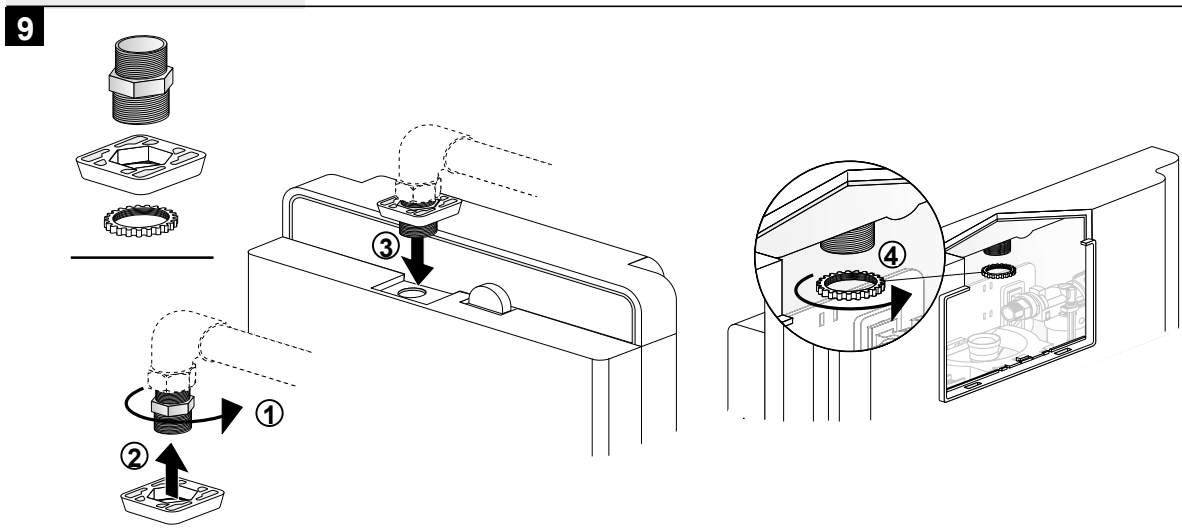
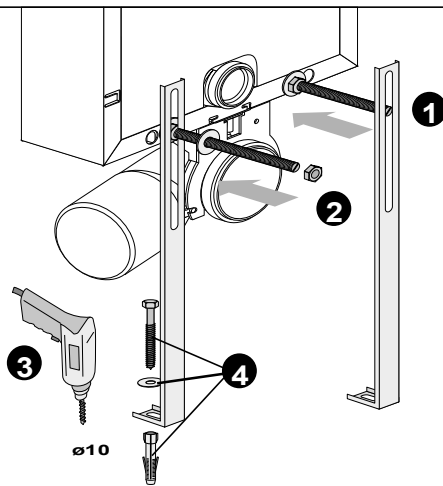
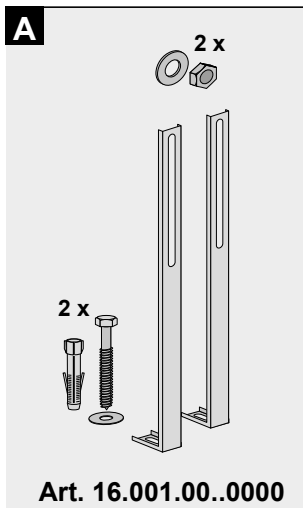
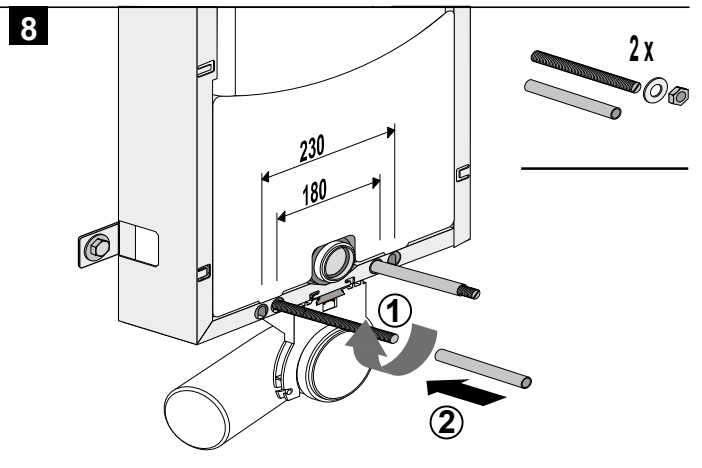
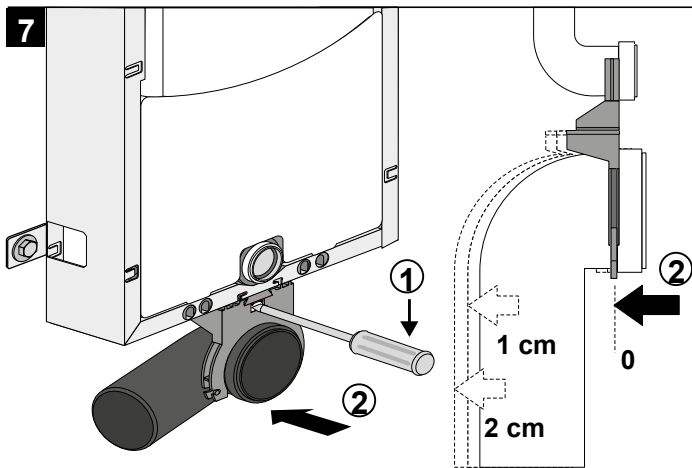
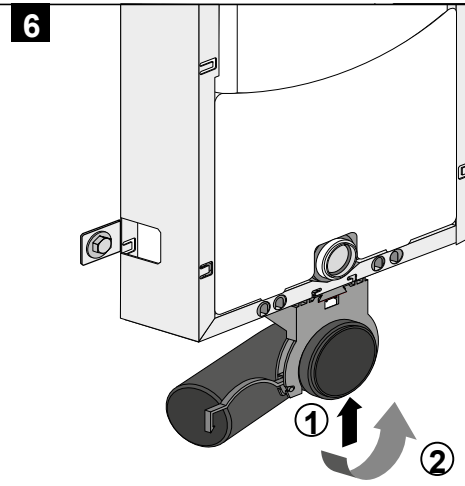
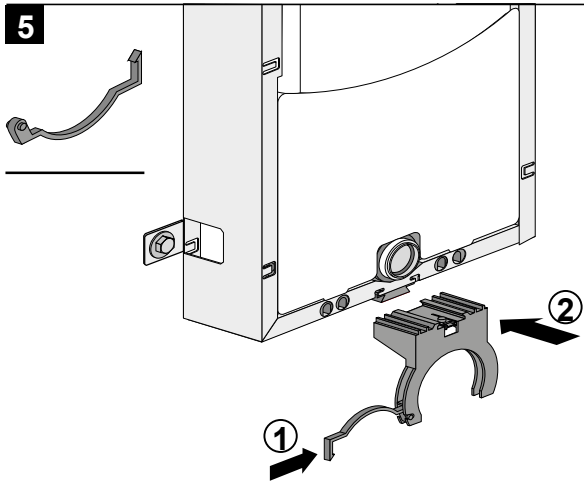
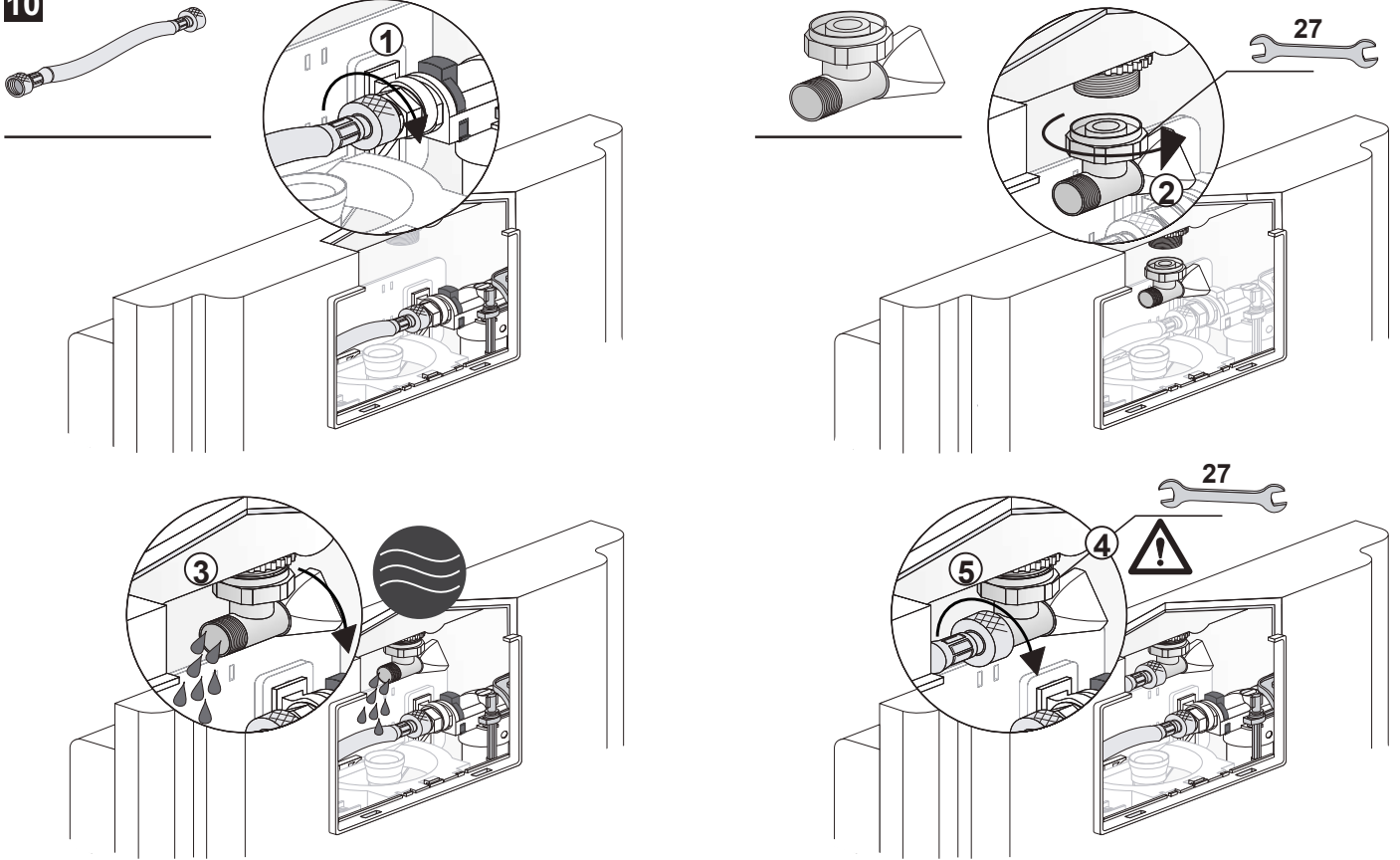


LAUFEN

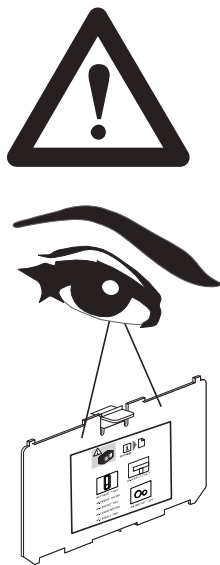




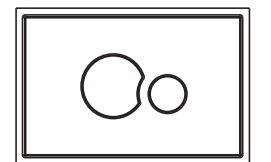
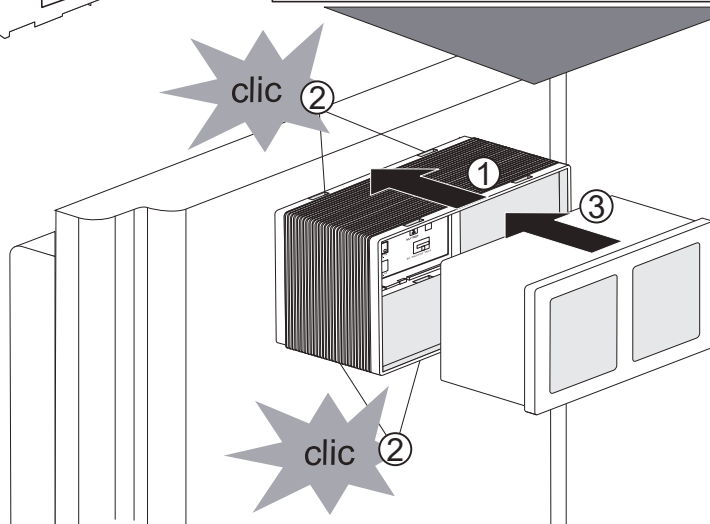
10



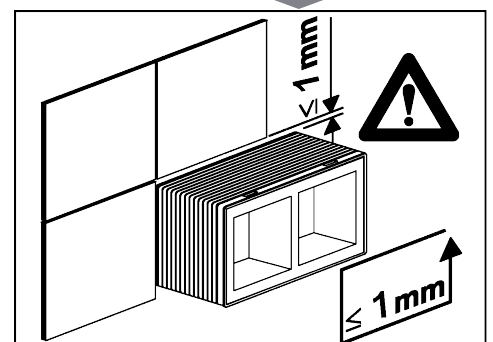
11

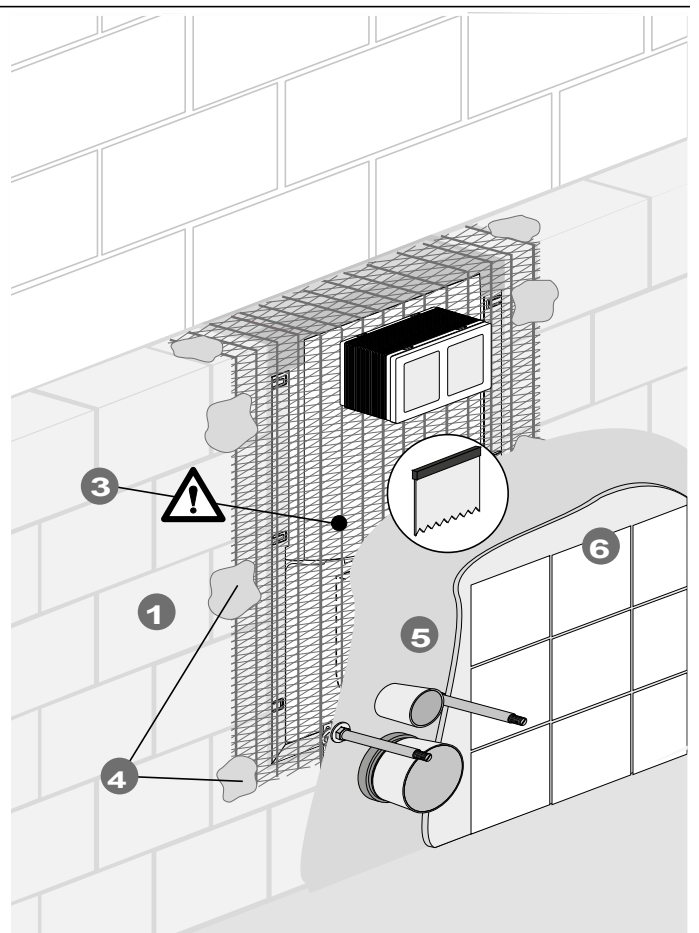
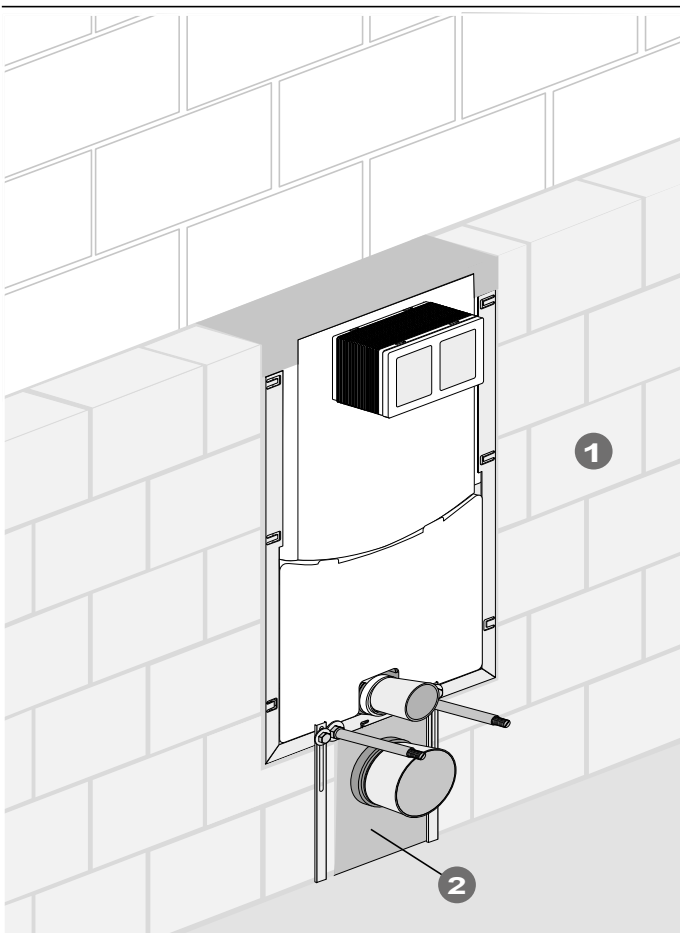


| | |
|---------------------|---------------------|
| | |
| | Montage |
| | |
| Art. H900101***0001 | Art. H9001001**0001 |
| Art. H900102***0001 | |
| Art. H9001039280001 | |
| Art. H900104***0001 | Art. H900105***0001 |

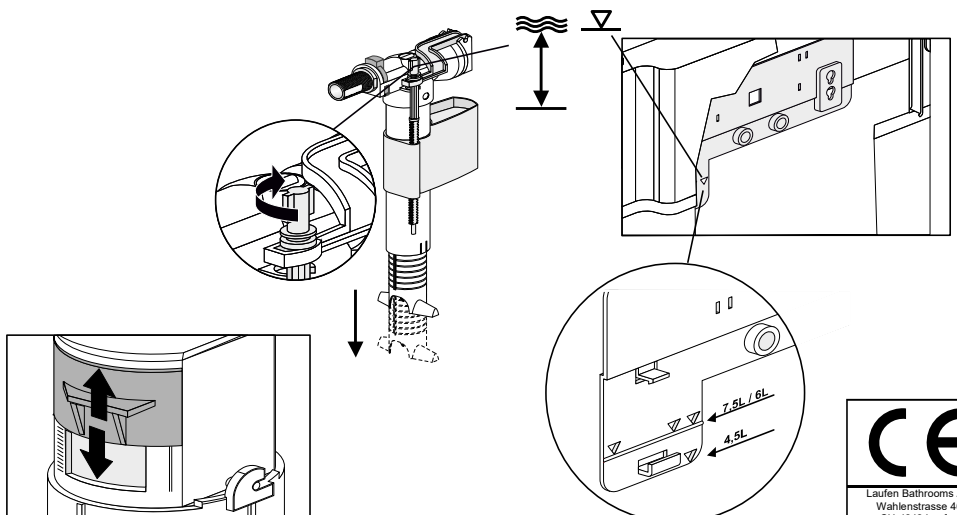
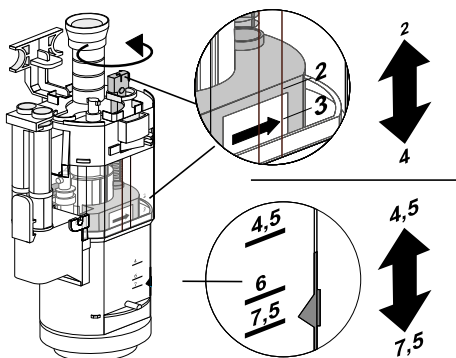
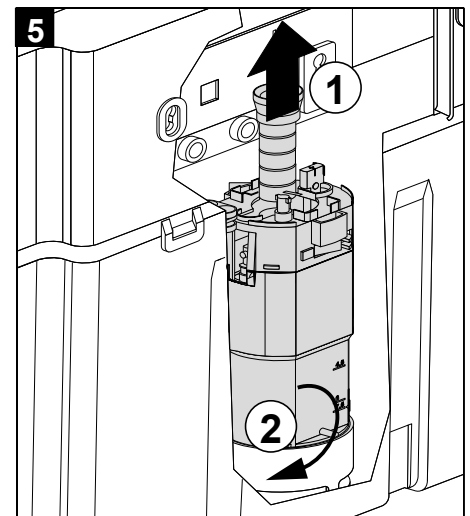
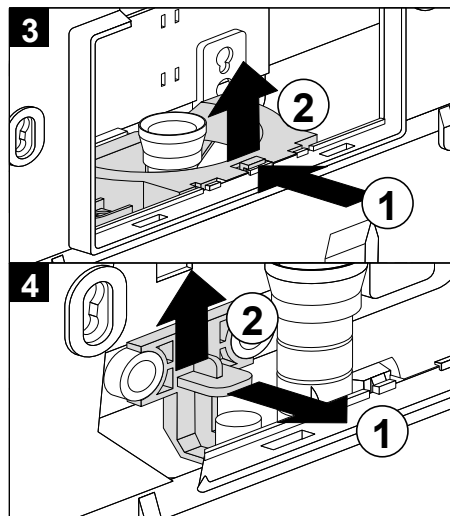
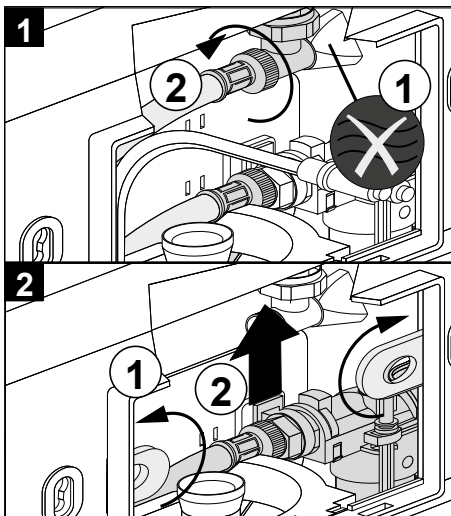


Art. H900106***0001





Service



LAUFEN

Laufen Bathrooms AG
 Wahlenstrasse 46
 CH-4242 Laufen, Switzerland
 www.laufen.com

| |
|---|
| CE |
| Laufen Bathrooms AG Wahlenstrasse 46 CH-4242 Laufen |
| 13 |
| DoP Nr. 14055 CC 121-S-FO-2V-2C Personal hygiene |
| EN 14055-CL1-6-NLI-VRII |