

36 712 882



- 190mm projection
- circular, air-enriched flow
- hole diameter valve 40 mm
- hole diameter spout 40 mm
- rosette Ø 55 mm
- max. flow 7 l/min
- lead-free
- WRAS 2107049
- This product can help a building meet the requirements of Green Building Rating Systems, e.g. LEED®, BREEAM®, DGNB

	Matte Black	36 712 882-33
	Chrome	36 712 882-00
	Brushed Platinum	36 712 882-06
	Platinum	36 712 882-08
	Dark Chrome	36 712 882-19
	Brushed Durabronze (23kt Gold)	36 712 882-28
	Brushed Champagne (22kt Gold)	36 712 882-46
	Champagne (22kt Gold)	36 712 882-47
	Brushed Chrome	36 712 882-93
	Brushed Dark Platinum	36 712 882-99

Required miscellaneous



- Concealed wall-mounted mixer centred spout -** 35 700 970 90
- max. recess depth 145 mm
  - min. recess depth 85 mm

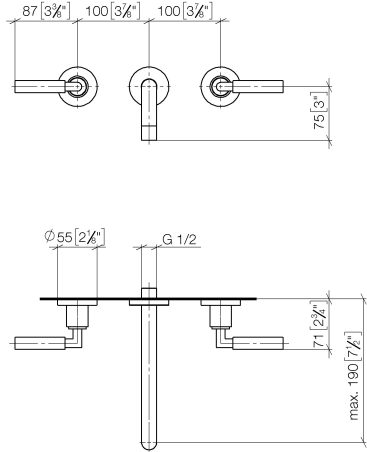
Required miscellaneous



- Concealed wall-mounted mixer variable positioning -** 35 720 970 90
- min. recess depth 85 mm
  - max. recess depth 145 mm

36 712 882

mm [inches]



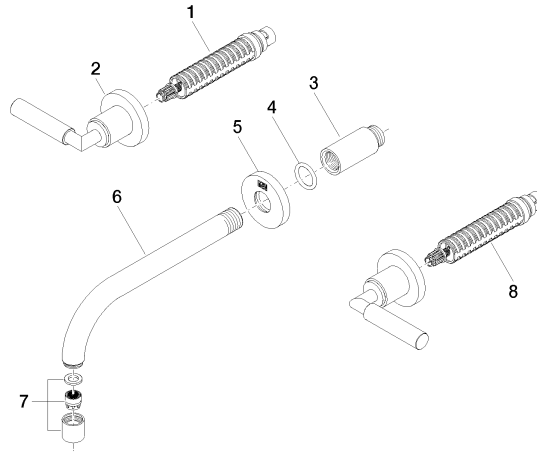
Flow rate chart



Certificates

WRAS\_2107049.    LGA\_18937.    ACS\_20 ACC LY 741.    ETA\_19023.

36 712 882



### Spare parts list

No.	Item Number	Name	Quantity used	Delivery time
1	90 90 03 156 00 90	top	1	2
2	36 310 882-33	connection	2	30
3	09 24 03 081 10 90	extension	1	2
4	90 14 10 026 00 90	seal	1	2
5	09 27 22 503-33	rosette	1	30
6	04 28 22 090 10-33	spout	1	30
7	90 23 01 019 00-33	aerator	1	30
8	90 90 03 157 00 90	top	1	2